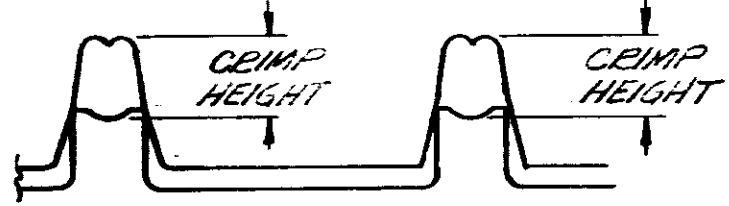




SYMBOL 14-12 SYMBOL 10

WIRE CRIMP				TERMINAL CRIMP HEIGHT
CRIMP SYMBOL	DIM	GO	NO GO	
14-12	F	.0724	.0774	SEE
	D	.0873	.0914	BELOW
10	F	.0934	.1034	SEE
	D	.1094	.1138	BELOW



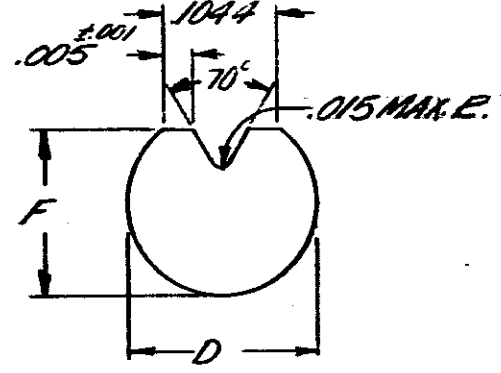
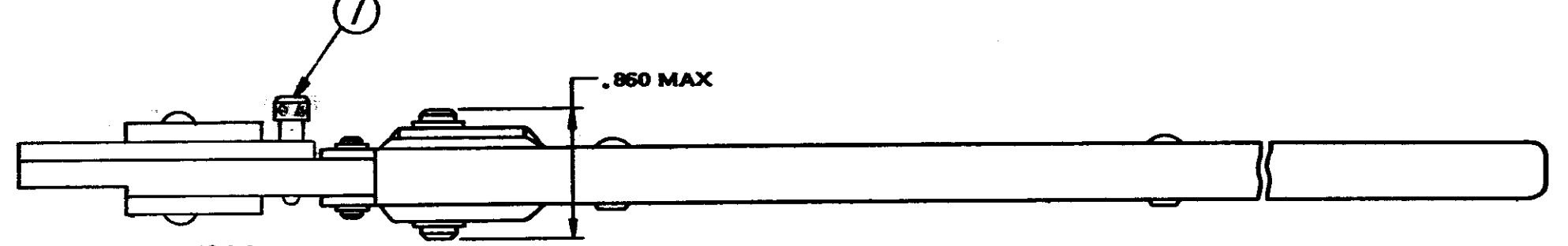
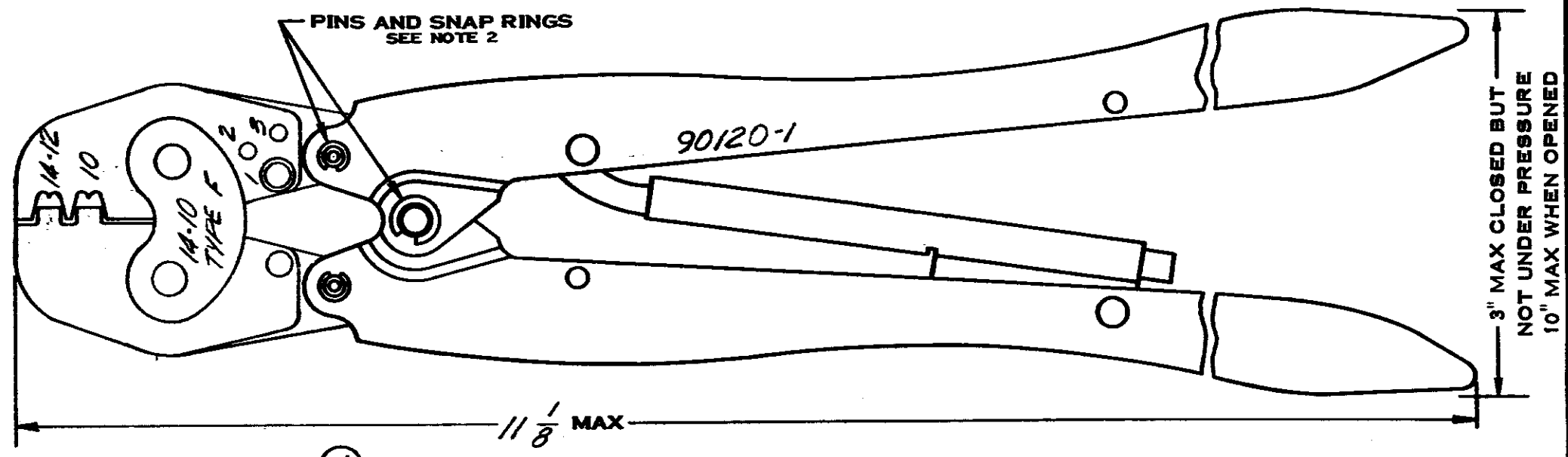
SYMBOL 10 SYMBOL 14-12

INSULATION CRIMP				TERMINAL CRIMP HEIGHT
CRIMP SYMBOL	DIM	GO	NO GO	
14-12	F	.1509	.1667	++
	D	.1695	.1850	--
10	F	.1509	.1667	+
	D	.1695	.1850	--

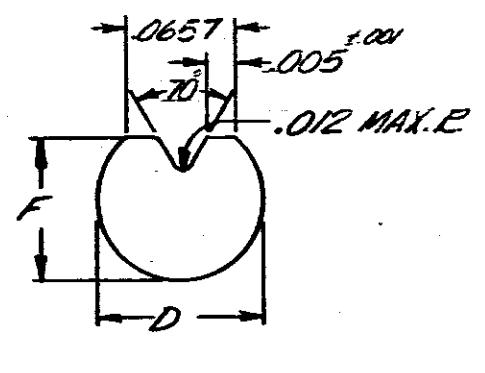
SEE NOTE #6

WIRE SIZE	TERMINAL CRIMP HEIGHT
14	.0925
	.0805
12	.0975
	.0850
10	.1140
	.1020

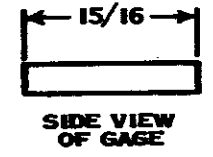
INACTIVE,
REFER TO
IS SHEET 7157
11/8/77



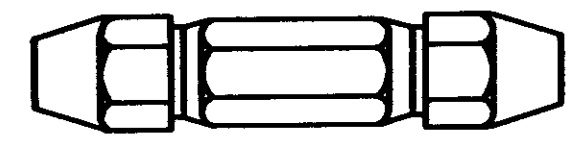
INSULATION CRIMPS
CRIMP SYMBOLS 14-12 & 10
ENLARGED END VIEWS OF GAGES



WIRE CRIMPS
CRIMP SYMBOL 14-12 & 10



SIDE VIEW OF GAGE



SUGGESTED DOUBLE END HANDLE A.G.D. STD.

INACTIVE
11/8/77 SEE I.S. - 7157

SUGGESTED GAGE DESIGN

					NUMBER C-90120
A	INACTIVE PER ECU AT-1117	SET		11/8/77	
LTR	REVISION RECORD	DR	CHK	DATE	

1	39207	PIN-ADJUSTMENT	1
NO. REQD	NUMBER	NAME	ITEM NO.
©1968 BY AMP INCORPORATED. ALL RIGHTS RESERVED. AMP PRODUCTS COVERED BY PATENTS AND/OR PATENTS PENDING.		CUSTOMER COPY REFERENCE ONLY	
OR R. Canty 4/23/64	MATERIAL-STEEL	AMP INCORPORATED HARRISBURG PENNA.	
CHK S. Dried 4/30/64	FINISH-BLACK OXIDE		
OR J. G. Burtis 4/30/64	WEIGHT-1 LBS. 3 OZ.	CLASS	
OR J. G. Burtis 4/30/64	WIRE - RANGE - INSULATION	TYPE	
AMP J. G. Burtis 4/30/64	TOLERANCE EXCEPT AS NOTED	SCALE	
	LOC	NO	REV
	R B	C-90120	A
NAME DOUBLE ACTION HAND TOOL			

DIMENSIONS IN INCHES DO NOT SCALE PRINT